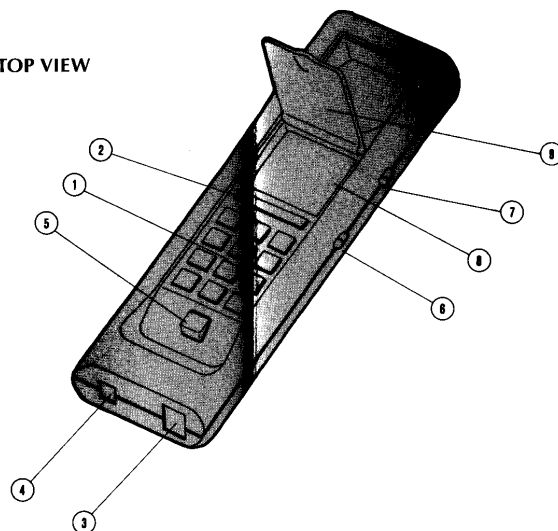


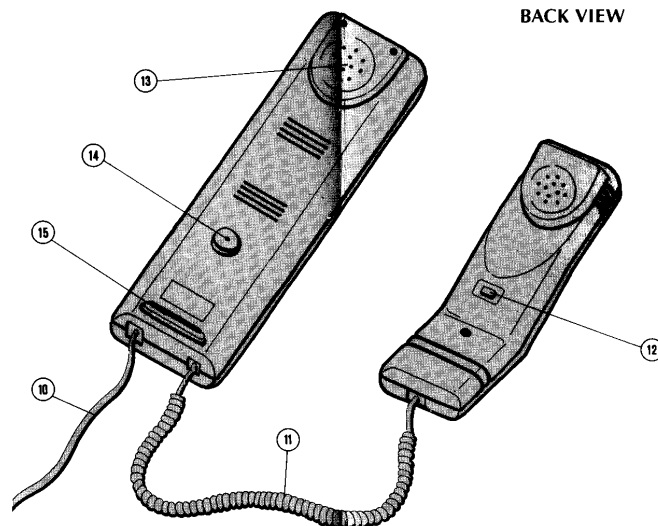
## SWATCH TWIN PHONE

1. NUMBER/LETTER KEYS.  
Used to dial phone numbers.
2. REDIAL KEY  
This key is used for last number redial.
3. LINE JACK (big)
4. HANDSET CORD JACK (small)
5. HOOK SWITCH  
Main switch to connect/disconnect the phone from the telephone line.
6. RINGER VOLUME SELECTOR  
HI  
LOW  
OFF
7. PULSE/TONE SELECTOR  
Select the type of dialing network that your telephone system requires.
8. MOST USED NUMBER LIST
9. CARD COVER
10. TELEPHONE LINE CORD
11. HANDSET CORD
12. MUTE KEY  
The mute function allows you to talk privately with people around you without hanging up. The person at the other end will not be able to hear you while MUTE key is depressed.
13. 2ND EARPIECE
14. 2ND MICROPHONE
15. 2ND HOOK SWITCH  
Used to switch ON (OFF) 2nd handset (base unit) for 3 party communication.

TOP VIEW



BACK VIEW



## PREPARATION

### Installation

Connect handset to base (handset cord jack) using coiled handset cord.  
Connect your SWATCH TWIN PHONE to the telephone line (wall modular jack) using telephone line cord.

### Setting the Pulse/Tone Selector

The setting of this switch will depend on the type of telephone service you have. If your household is connected to a pulse-(rotary-)dialing system, set the switch to PULSE. If you are connected to a tone dialing system, set the switch to TONE.

**NOTE:** If you have a dial pulse service, you can switch from PULSE to TONE during a call, which will be useful for access to alternate long distance services or Bank by Phone services. When you hang up, always set switch back to initial PULSE mode.

## OPERATION

### Normal dialing

- Lift handset and listen for dial tone.
- Press the number/letter keys for the number you wish to call.

4 5 8 1 2 9 6

### Redial

If you get a busy line or no answer, you can redial by pressing REDIAL key once.

REDIAL

**NOTE:** The last number you dialed is retained in the memory until a new number is dialed.

### Two-Handset Operation (Conference Call)

Lift base receiver (2nd handset) while handset is in use.

You can simultaneously participate in the phone conversation already taking place.